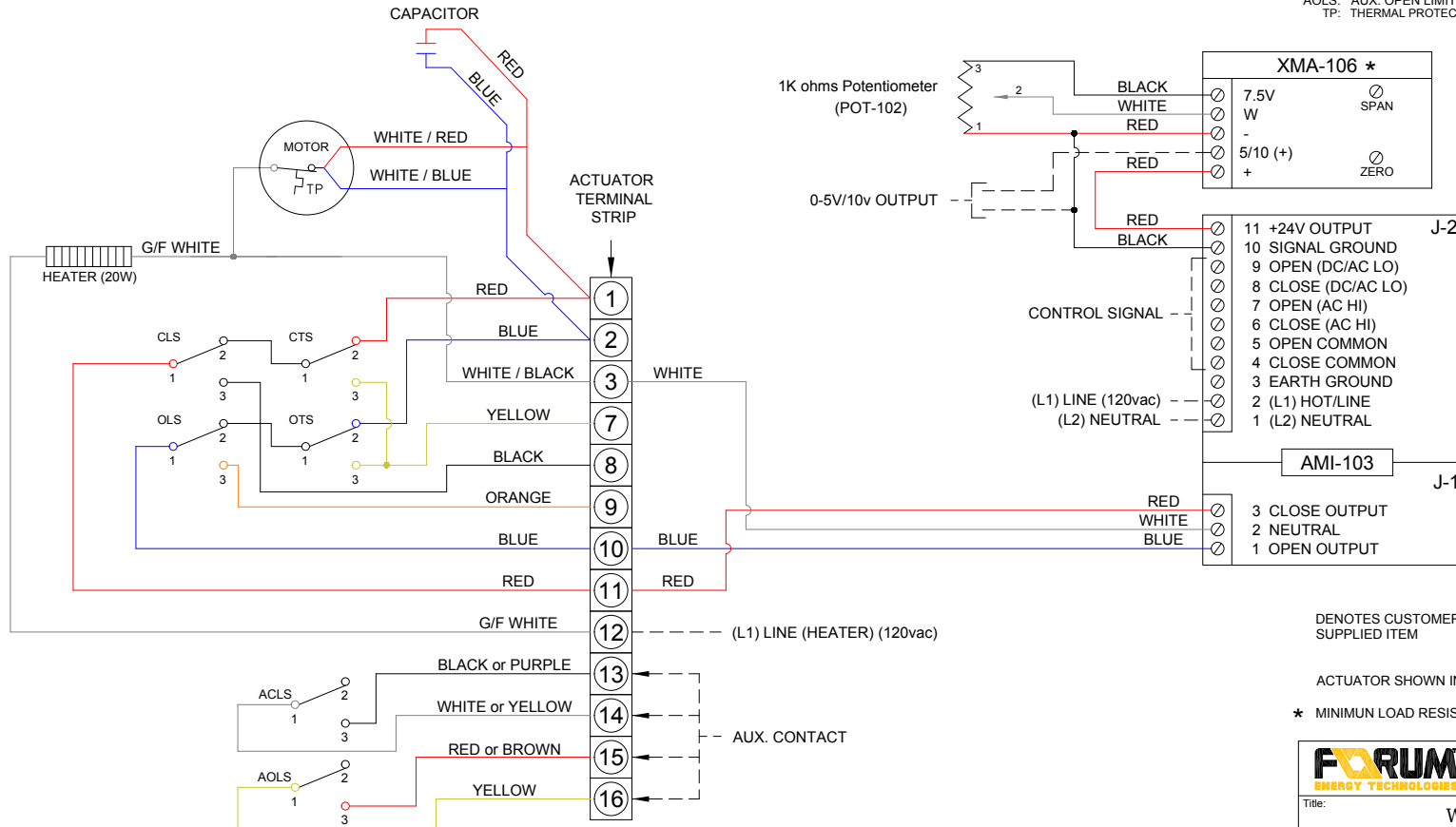


	CLOSE	OPEN
CLS 1-2	-----	-----
CLS 1-3	-----	-----
OLS 1-2	-----	-----
OLS 1-3	-----	-----
ACLS 1-2	-----	-----
ACLS 1-3	-----	-----
AOLS 1-2	-----	-----
AOLS 1-3	-----	-----
CTS 1-3	CLOSING TORQUE SWITCH INTERRUPTS CONTROLS IF MECHANICAL OVERLOAD OCCURS DURING CLOSING CYCLE	
OTS 1-3	OPENING TORQUE SWITCH INTERRUPTS CONTROLS IF MECHANICAL OVERLOAD OCCURS DURING OPENING CYCLE	

CLS: CLOSE LIMIT SWITCH (250VAC, 6A MAX)
 OLS: OPEN LIMIT SWITCH (250VAC, 6A MAX)
 CTS: CLOSE TORQUE SWITCH (250VAC, 6A MAX)
 OTS: OPEN TORQUE SWITCH (250VAC, 6A MAX)
 ACLS: AUX. CLOSE LIMIT SWITCH (250VAC, 6A MAX)
 AOLS: AUX. OPEN LIMIT SWITCH (250VAC, 6A MAX)
 TP: THERMAL PROTECTOR (250VAC, 6A MAX)



----- DENOTES CUSTOMER SUPPLIED ITEM

ACTUATOR SHOWN IN MID POSITION.

* MINIMUM LOAD RESISTANCE ON XMA-106 IS 1K OHMS

		Valve Solutions ABZ Valves & Controls	
Title: Wiring Diagram			
Parts: ABZ 150 thru ABZ 250 Electric Actuator 120 VAC Single Phase (ON/OFF) AMI-103 Motor Interface Auxiliary Limit Switches XMA-106 Feedback Transmitter			
DWG No. WS1525-A1B-D-X	Date 01-10-12	Drawn BC	Checked TP
Approved TH	Revision 0		