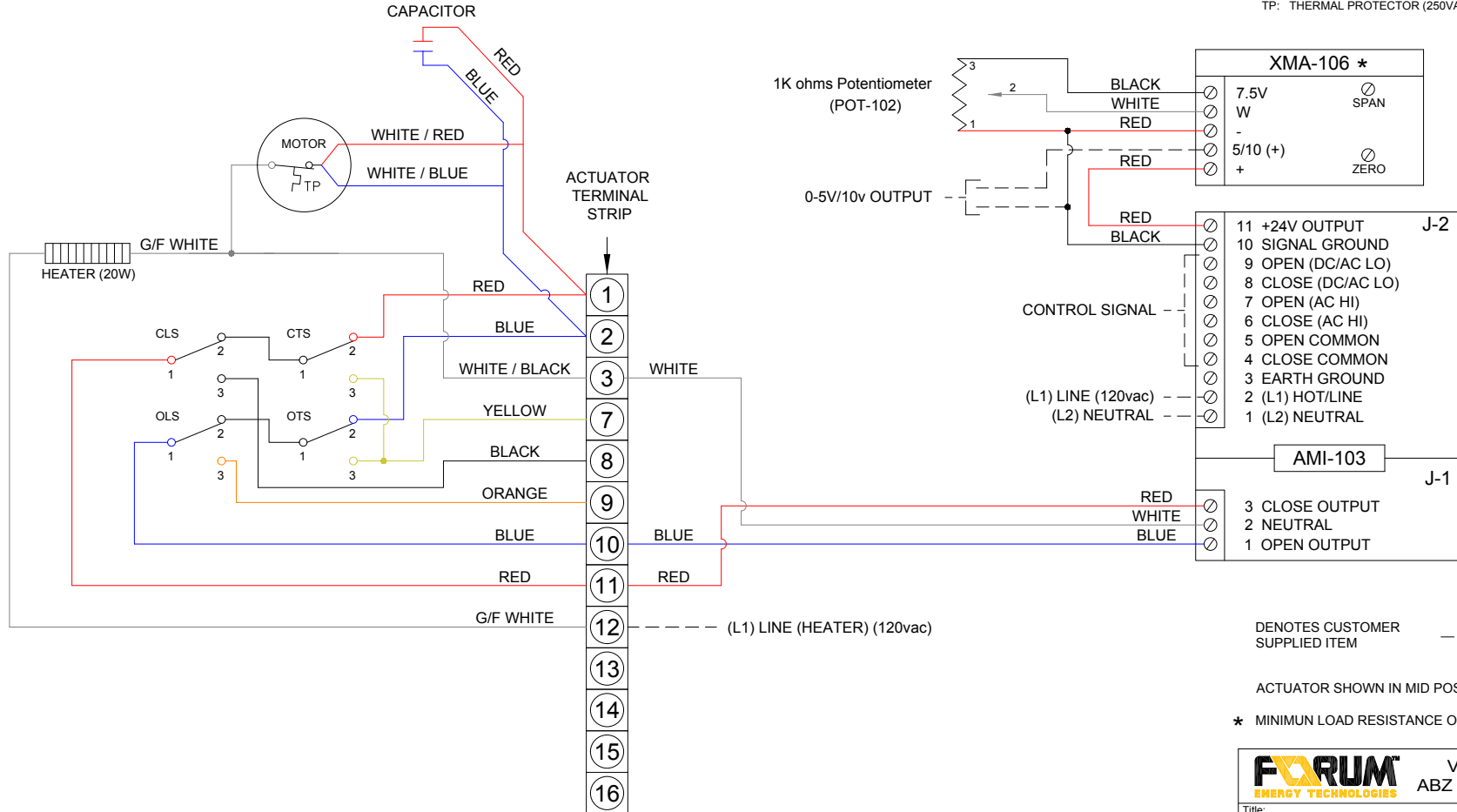


	CLOSE	OPEN
CLS 1-2		
CLS 1-3		
OLS 1-2		
OLS 1-3		
CTS 1-3	CLOSING TORQUE SWITCH INTERRUPTS CONTROLS IF MECHANICAL OVERLOAD OCCURS DURING CLOSING CYCLE	
OTS 1-3	OPENING TORQUE SWITCH INTERRUPTS CONTROLS IF MECHANICAL OVERLOAD OCCURS DURING OPENING CYCLE	

CLS: CLOSE LIMIT SWITCH (250VAC, 6A MAX)  
 OLS: OPEN LIMIT SWITCH (250VAC, 6A MAX)  
 CTS: CLOSE TORQUE SWITCH (250VAC, 6A MAX)  
 OTS: OPEN TORQUE SWITCH (250VAC, 6A MAX)  
 TP: THERMAL PROTECTOR (250VAC, 6A MAX)



--- DENOTES CUSTOMER SUPPLIED ITEM

ACTUATOR SHOWN IN MID POSITION.

\* MINIMUM LOAD RESISTANCE ON XMA-106 IS 1K OHMS

**FORUM** Valve Solutions  
 ENERGY TECHNOLOGIES ABZ Valves & Controls

Title: <b>Wiring Diagram</b>					
Parts: ABZ 150 thru ABZ 250 Electric Actuator 120 VAC Single Phase (ON/OFF) AMI-103 Motor Interface XMA-106 Feedback Transmitter					
DWG No.	Date	Drawn	Checked	Approved	Revision
WS1525-A1B-D-X	01-10-12	BC	TP	TH	0