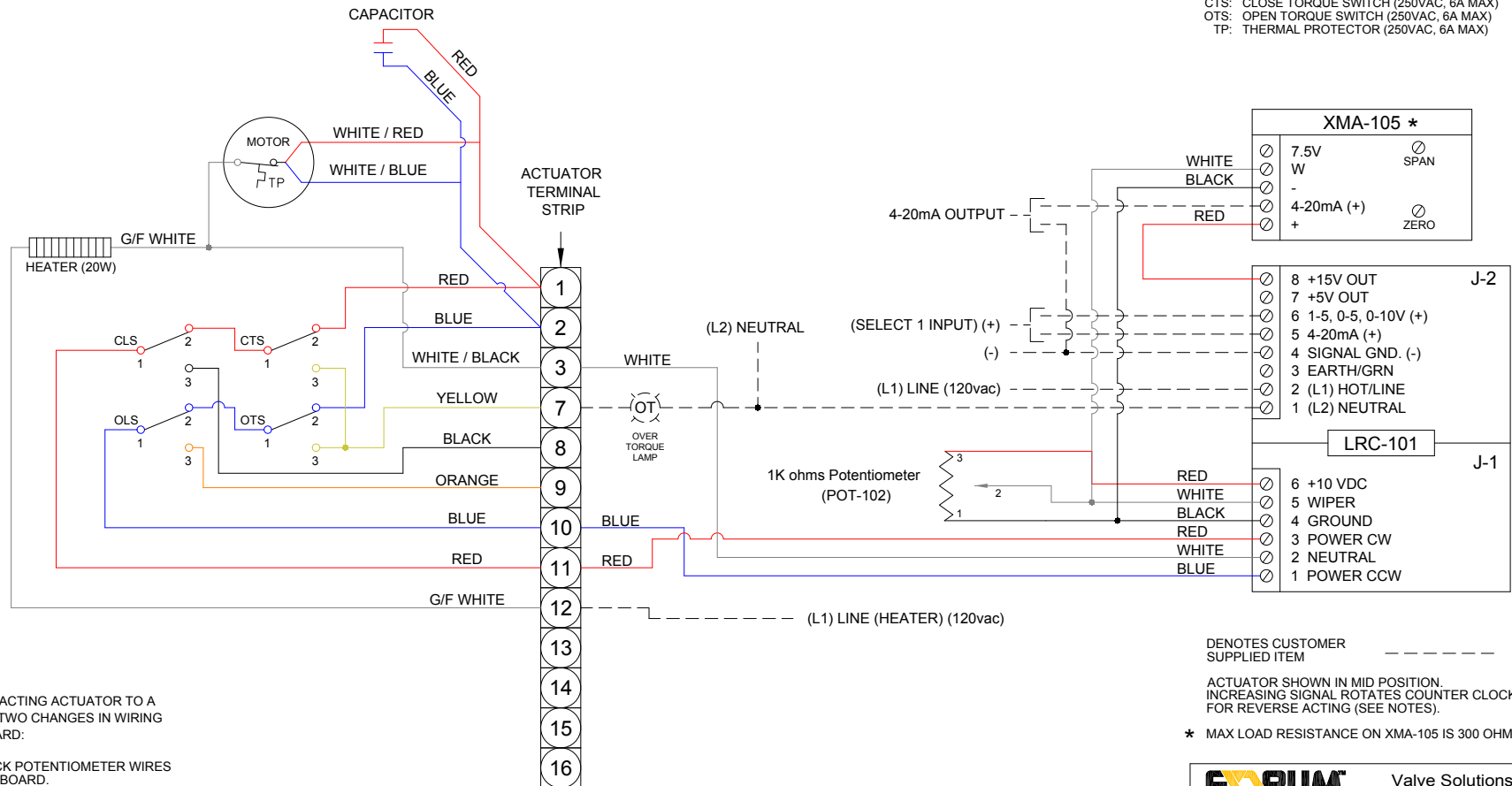


	CLOSE	OPEN
CLS 1-2		
CLS 1-3		
OLS 1-2		
OLS 1-3		
CTS 1-3	CLOSING TORQUE SWITCH INTERRUPTS CONTROLS IF MECHANICAL OVERLOAD OCCURS DURING CLOSING CYCLE	
OTS 1-3	OPENING TORQUE SWITCH INTERRUPTS CONTROLS IF MECHANICAL OVERLOAD OCCURS DURING OPENING CYCLE	

CLS: CLOSE LIMIT SWITCH (250VAC, 6A MAX)
 OLS: OPEN LIMIT SWITCH (250VAC, 6A MAX)
 CTS: CLOSE TORQUE SWITCH (250VAC, 6A MAX)
 OTS: OPEN TORQUE SWITCH (250VAC, 6A MAX)
 TP: THERMAL PROTECTOR (250VAC, 6A MAX)



NOTES:

- WHEN CONVERTING A DIRECT ACTING ACTUATOR TO A REVERSE ACTING ACTUATOR, TWO CHANGES IN WIRING MUST BE MADE ON SERVO BOARD:
- 1-REVERSE THE RED AND BLACK POTENTIOMETER WIRES CONNECTED ON THE SERVO BOARD.
 - 2-REVERSE THE BLUE AND RED MOTOR OUTPUT WIRES CONNECTED ON THE SERVO BOARD.
- NOTE: DO NOT REVERSE THE INPUT SIGNAL POLARITY. ALSO, MAKE SURE THAT BOTH WIRING CHANGES ARE MADE - IF ONLY ONE IS MADE, THE ACTUATOR WILL RUN TO EITHER FULL OPEN OR FULL CLOSE.
- AFTER THE WIRING CHANGES HAVE BEEN MADE, REFER TO CALIBRATION FOR SETTING THE ZERO AND SPAN.

--- DENOTES CUSTOMER SUPPLIED ITEM ---

ACTUATOR SHOWN IN MID POSITION. INCREASING SIGNAL ROTATES COUNTER CLOCKWISE. FOR REVERSE ACTING (SEE NOTES).

* MAX LOAD RESISTANCE ON XMA-105 IS 300 OHMS

FORUM ENERGY TECHNOLOGIES Valve Solutions
ABZ Valves & Controls

Title: **Wiring Diagram**

Parts:
 ABZ 015 thru ABZ 100 Electric Actuator
 120 VAC Single Phase (Modulating Service)
 LRC-101 Servo Board
 XMA-105 Feedback Transmitter

DWG No.	Date	Drawn	Checked	Approved	Revision
WSA000-A2F-C-X	08-30-12	BC	TP	TH	0