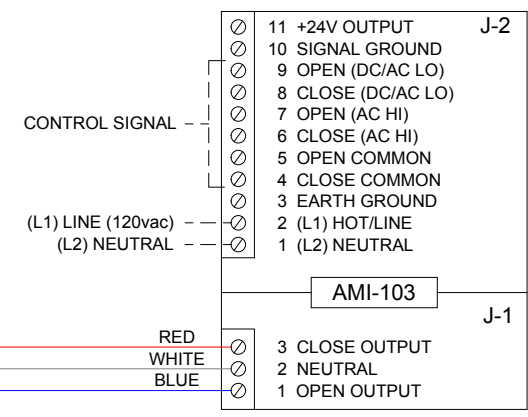


	CLOSE	OPEN
CLS 1-2		
CLS 1-3		
OLS 1-2		
OLS 1-3		
CTS 1-3	CLOSING TORQUE SWITCH INTERRUPTS CONTROLS IF MECHANICAL OVERLOAD OCCURS DURING CLOSING CYCLE	
OTS 1-3	OPENING TORQUE SWITCH INTERRUPTS CONTROLS IF MECHANICAL OVERLOAD OCCURS DURING OPENING CYCLE	

CLS: CLOSE LIMIT SWITCH (250VAC, 6A MAX)
 OLS: OPEN LIMIT SWITCH (250VAC, 6A MAX)
 CTS: CLOSE TORQUE SWITCH (250VAC, 6A MAX)
 OTS: OPEN TORQUE SWITCH (250VAC, 6A MAX)
 TP: THERMAL PROTECTOR (250VAC, 6A MAX)



----- DENOTES CUSTOMER SUPPLIED ITEM
 ACTUATOR SHOWN IN MID POSITION.

FORUM Valve Solutions
 ENERGY TECHNOLOGIES ABZ Valves & Controls

Title: **Wiring Diagram**

Parts:
 ABZ 015 thru ABZ 250 Electric Actuator
 120 VAC Single Phase (ON/OFF)
 AMI-103 Motor Interface

DWG No.	Date	Drawn	Checked	Approved	Revision
WSB000-A1B-X	09-14-12	BC	TP	TH	0