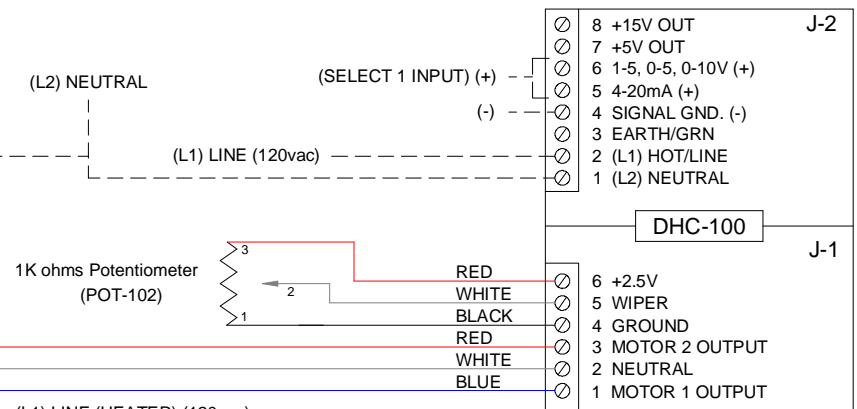
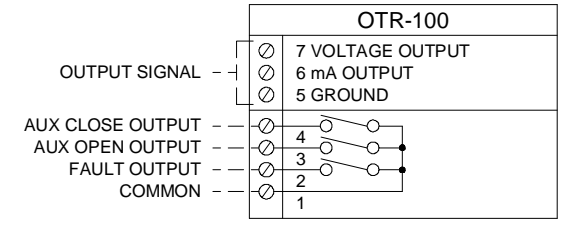
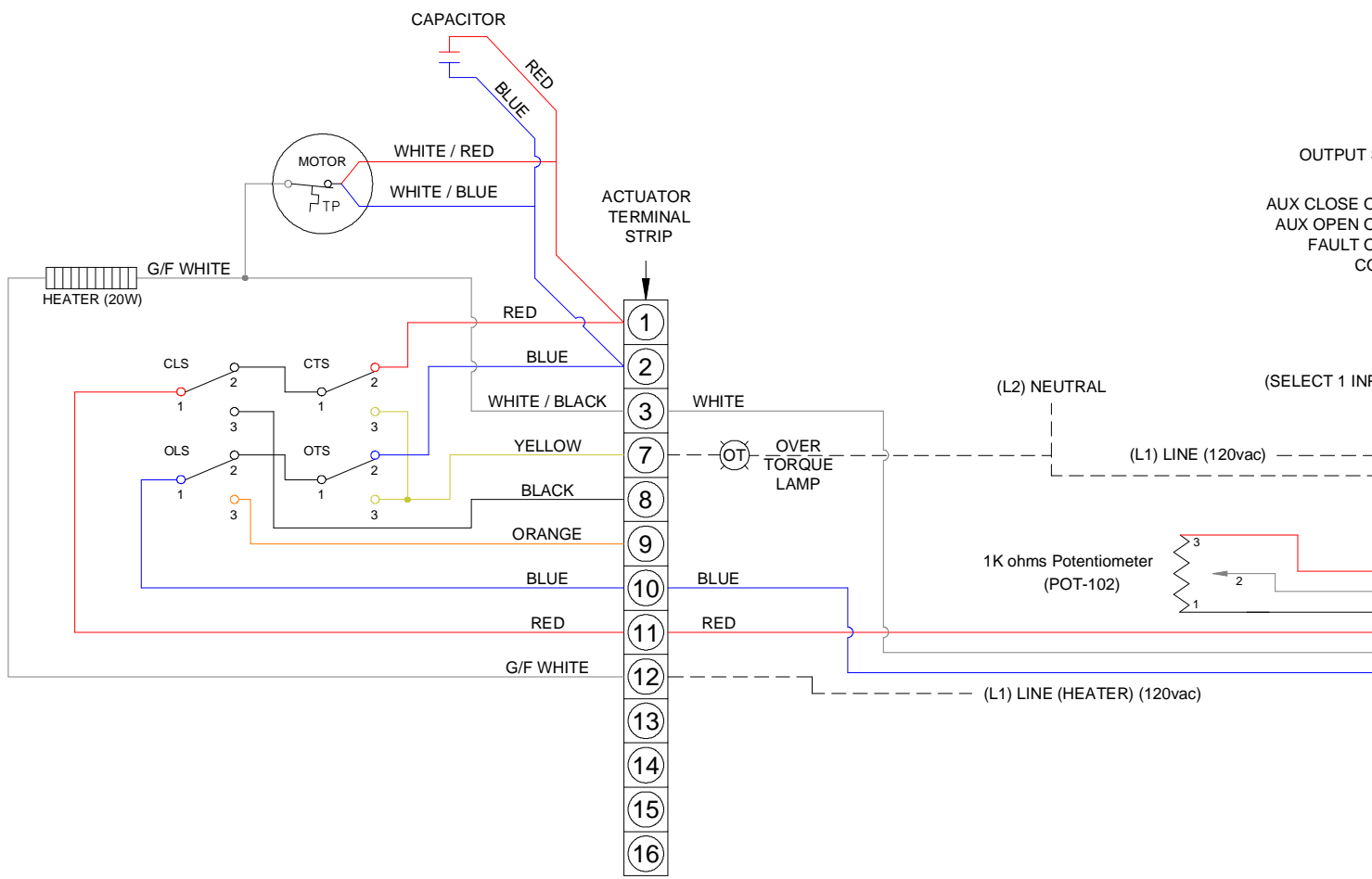
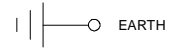


	CLOSE	OPEN
CLS 1-2		
CLS 1-3		
OLS 1-2		
OLS 1-3		
CTS 1-3	CLOSING TORQUE SWITCH INTERRUPTS CONTROLS IF MECHANICAL OVERLOAD OCCURS DURING CLOSING CYCLE	
OTS 1-3	OPENING TORQUE SWITCH INTERRUPTS CONTROLS IF MECHANICAL OVERLOAD OCCURS DURING OPENING CYCLE	

CLS: CLOSE LIMIT SWITCH (250VAC, 6A MAX)  
 OLS: OPEN LIMIT SWITCH (250VAC, 6A MAX)  
 CTS: CLOSING TORQUE SWITCH (250VAC, 6A MAX)  
 OTS: OPENING TORQUE SWITCH (250VAC, 6A MAX)  
 TP: THERMAL PROTECTOR (250VAC, 6A MAX)



DENOTES CUSTOMER SUPPLIED ITEM  
 ACTUATOR SHOWN IN MID POSITION.

**FORUM** Valve Solutions  
**ENERGY TECHNOLOGIES** ABZ Valves & Controls

Title: **Wiring Diagram**

Parts:  
 ABZ 015 thru ABZ 250 Electric Actuator  
 120 VAC Single Phase (Modulating Service)  
 DHC-100 Digital High Resolution Controller  
 OTR-100 Feedback Transmitter / Relay Output

DWG No.	Date	Drawn	Checked	Approved	Revision
WSB000-A2A-J-X	05-20-13	BC	TP	TH	A