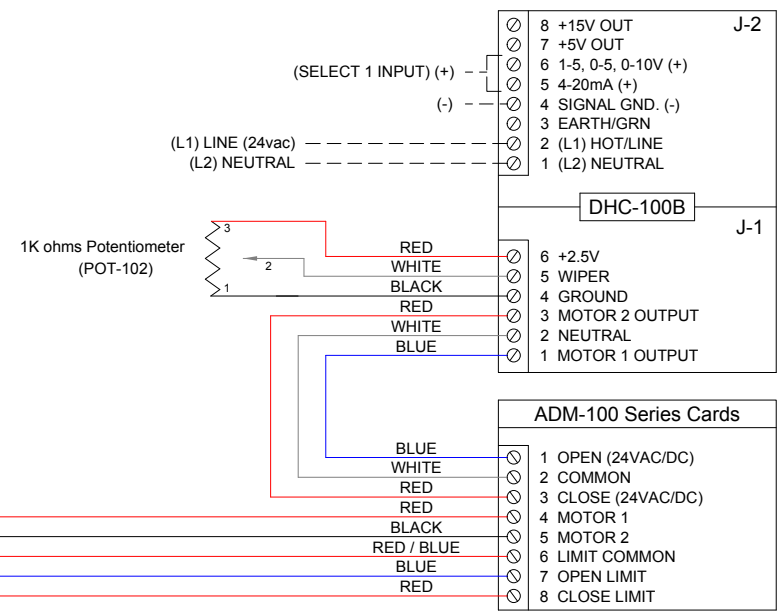
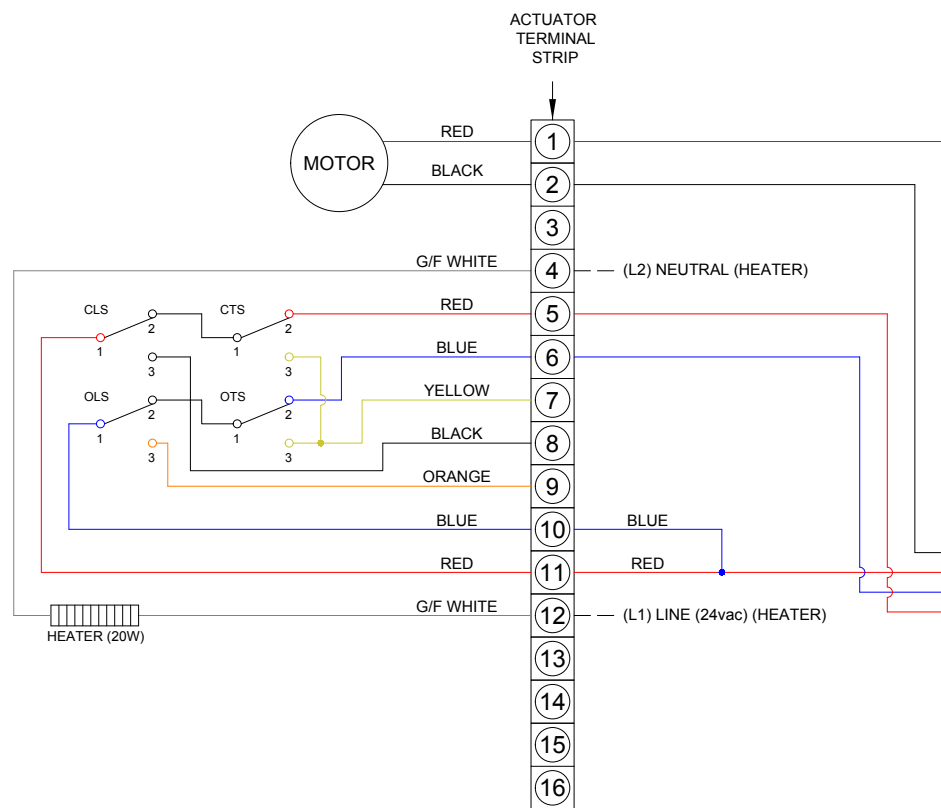
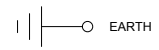


|         | CLOSE  | OPEN |
|---------|--|------|
| CLS 1-2 |  |      |
| CLS 1-3 |  |      |
| OLS 1-2 |  |      |
| OLS 1-3 |  |      |
| CTS 1-3 | CLOSING TORQUE SWITCH INTERRUPTS CONTROLS IF MECHANICAL OVERLOAD OCCURS DURING CLOSING CYCLE |      |
| OTS 1-3 | OPENING TORQUE SWITCH INTERRUPTS CONTROLS IF MECHANICAL OVERLOAD OCCURS DURING OPENING CYCLE |      |

CLS: CLOSE LIMIT SWITCH (250VAC, 15A MAX)  
 OLS: OPEN LIMIT SWITCH (250VAC, 15A MAX)  
 CTS: CLOSE TORQUE SWITCH (250VAC, 15A MAX)  
 OTS: OPEN TORQUE SWITCH (250VAC, 15A MAX)  
 CC: CLOSE MAGNETIC COIL  
 OC: OPEN MAGNETIC COIL



DENOTES CUSTOMER SUPPLIED ITEM

ACTUATOR SHOWN IN MID POSITION.

EACH ACTUATOR SHOULD BE POWERED THROUGH ITS OWN INDIVIDUAL SWITCH OR RELAY CONTACTS TO PREVENT CROSS FEED BETWEEN TWO OR MORE ACTUATORS.

**FORUM** ENERGY TECHNOLOGIES Valve Solutions ABZ Valves & Controls

Title: **Wiring Diagram**

Parts:  
 ABZ 015 thru ABZ 250 Electric Actuator  
 24 VAC Single Phase (Modulating Service)  
 DHC-100B Digital High Resolution Controller  
 ADM-100 AC to DC Motor Converter Module

|              |          |       |         |          |          |
|--------------|----------|-------|---------|----------|----------|
| DWG No.      | Date     | Drawn | Checked | Approved | Revision |
| WSB000-C2C-X | 01-08-13 | BC    | TP      | TH       | 0        |