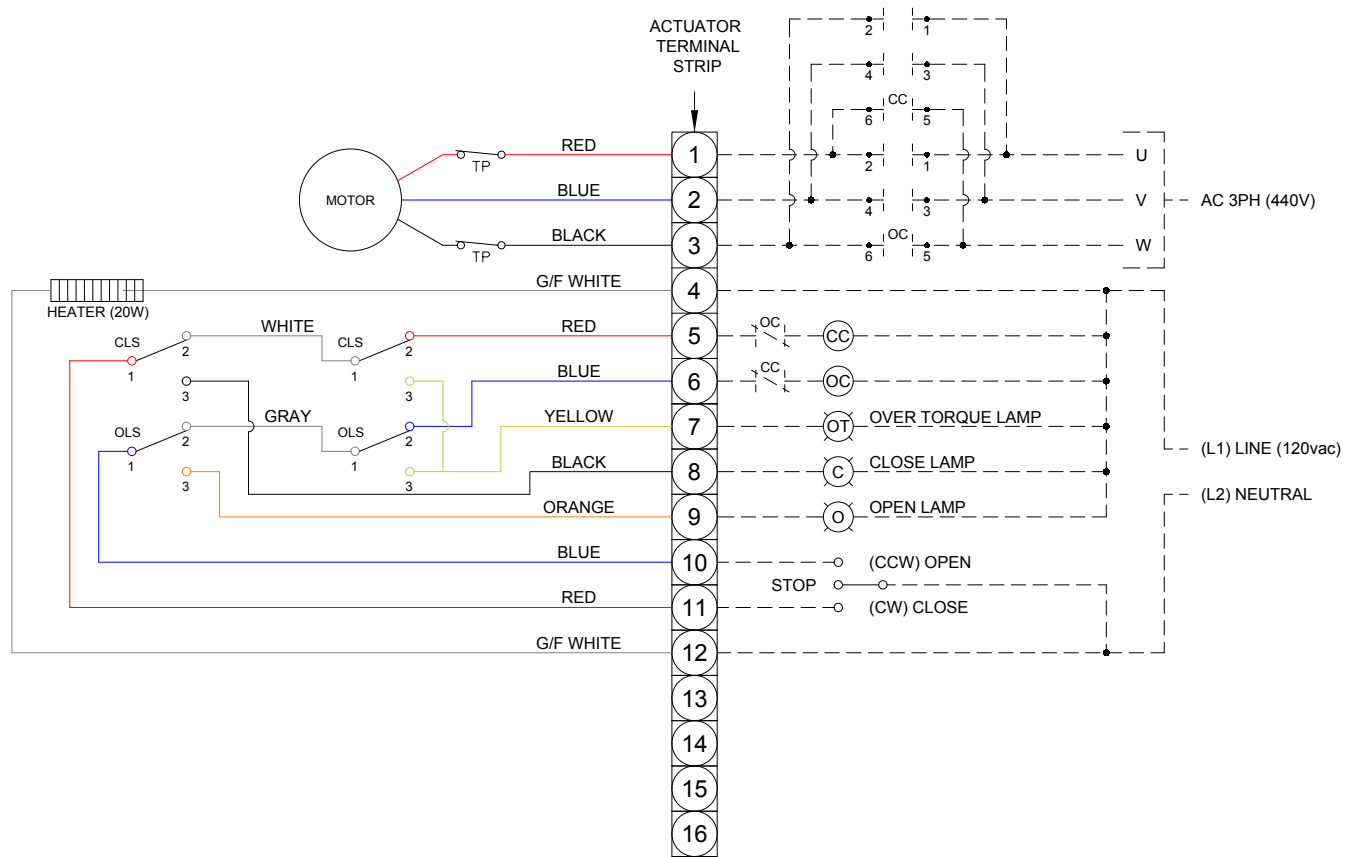


	CLOSE	OPEN
CLS 1-2		
CLS 1-3		
OLS 1-2		
OLS 1-3		
CTS 1-3	CLOSING TORQUE SWITCH INTERRUPTS CONTROLS IF MECHANICAL OVERLOAD OCCURS DURING CLOSING CYCLE	
OTS 1-3	OPENING TORQUE SWITCH INTERRUPTS CONTROLS IF MECHANICAL OVERLOAD OCCURS DURING OPENING CYCLE	

CLS: CLOSE LIMIT SWITCH (250VAC, 15A MAX)
 OLS: OPEN LIMIT SWITCH (250VAC, 15A MAX)
 CTS: CLOSING TORQUE SWITCH (250VAC, 15A MAX)
 OTS: OPENING TORQUE SWITCH (250VAC, 15A MAX)
 CC: CLOSE MAGNETIC COIL
 OC: OPEN MAGNETIC COIL
 TP: THERMAL PROTECTOR



DENOTES CUSTOMER SUPPLIED ITEM - - - - -

FORUM ENERGY TECHNOLOGIES Valve Solutions
 ABZ Valves & Controls

Title: **Wiring Diagram**

Parts:
 ABZ 015 thru ABZ 250 Electric Actuator
 440 VAC Three Phase
 (ON / OFF)

DWG No.	Date	Drawn	Checked	Approved	Revision
WSB000-F1A-X	10-10-12	BC	TP	TH	0