



## Series S1-SS

Seal Welded Stainless Steel Ball Valve

### FEATURES

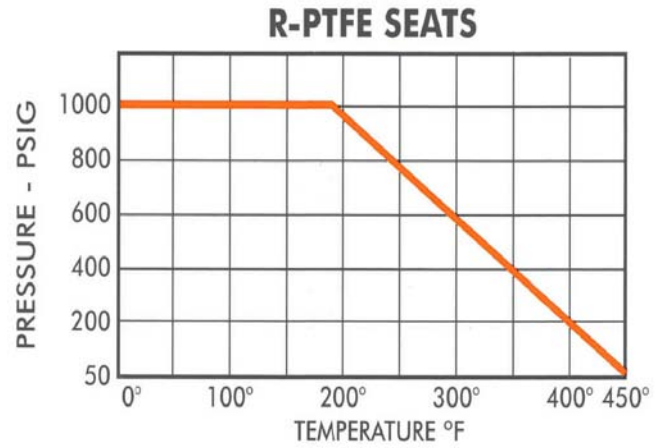
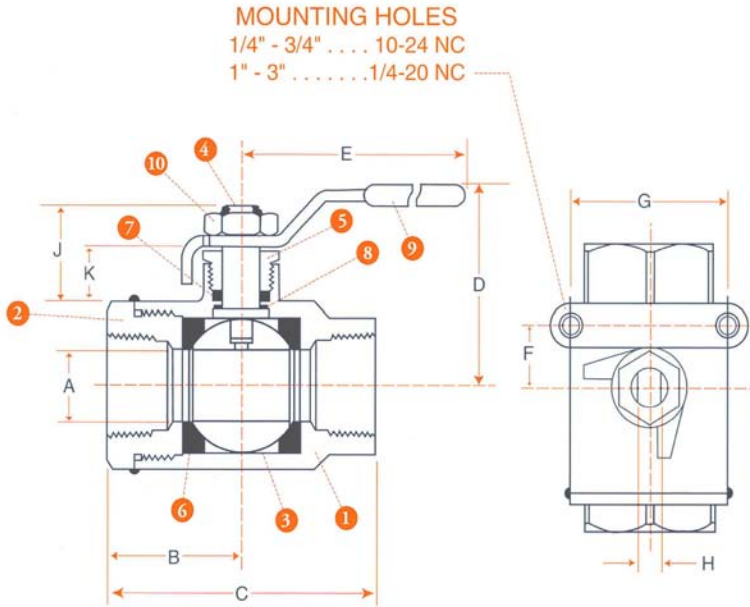
- ONE PIECE - SEAL WELDED CONSTRUCTION
- All sizes are Full Port
- 1000 WOG Rating
- 150 PSIG Saturated Steam Rating
- All Models are NACE MR-01-75 Compliant
- CF8M Bodies and Tailpieces, 316 Stainless Steel Internals
- Standard Actuator Mounting Pads on all Sizes
- Standard Stainless Steel Locking Handles
- Locking Oval Handles Available in Stainless Steel
- The Ultimate in Safe Design!

### RATINGS

1000 PSIG @100F Water, Oil, Gas  
150 PSIG Saturated Steam

### MATERIALS OF CONSTRUCTION

PART	DESCRIPTION	STANDARD MATERIAL	OPTIONAL MATERIAL(S)
1	Body	ASTM A351 Gr. CF8M	
2	Tailpiece	ASTM A351 Gr. CF8M	
3	Ball	ASTM A276 Gr. 316	
4	Stem	ASTM A276 Gr. 316	
5	Packing Nut	ASTM A276 Gr. 316	
6	Seats (2)	R-PTFE	Steam Seats
7	Packing	R-PTFE	Graphite
8	Thrust Washer (2)	R-PTFE	
9	Handle Assy	Stainless Steel w/Vinyl	Stainless Locking Oval
10	Handle Nut	Stainless Steel	



**DIMENSIONS, WEIGHTS, CV FACTORS & MAXIMUM OPERATING TORQUE**

SIZE	A	B	C	D	E	F	G	H	J	K	WEIGHT LBS.	CV	MAX. TORQUE
1/4-3/8"	.43	1.1	2.2	2.2	4.2	.50	1.12	.20	.82	.49	.58	10	60 IN-LB
1/2"	.56	1.3	2.6	2.3	4.3	.50	.50	1.38	.20	.98	.75	16	60 IN-LB
3/4"	.81	1.5	3.0	2.8	5.8	.87	1.38	.28	1.32	.71	1.47	32	120 IN-LB
1"	1.0	1.7	3.5	3.0	5.8	.87	1.50	.28	1.32	.71	2.33	62	160 IN-LB
1-1/4"	1.25	2.0	4.0	3.6	7.5	.93	1.50	.35	1.44	.81	3.47	115	180 IN-LB
1-1/2"	1.5	2.2	4.4	3.9	7.5	.93	1.50	.35	1.46	.81	5.35	140	260 IN-LB
2"	2.0	2.5	5.0	4.3	8.1	1.0	1.50	.35	1.46	.82	7.99	365	400 IN-LB
2-1/2"	2.5	3.3	6.6	5.0	10	1.37	2.75	.39	1.87	.94	15.1	450	500 IN-LB
3"	3.0	3.6	7.2	5.4	10	1.37	2.75	.39	1.80	.85	22.1	1100	800 IN-LB

**Numbering System ... How to Order**

<u>S1</u>	<u>F</u>	<u>S</u>	<u>S</u>	<u>R</u>	<u>R</u>	<u>SL</u>	<u>TT</u>	<u>100</u>
<b>SERIES</b>	<b>PORT SIZE</b>	<b>BODY MATERIAL</b>	<b>BALL/STEM MATERIAL</b>	<b>SEAT MATERIAL</b>	<b>SEAL MATERIAL</b>	<b>HANDLE TYPE</b>	<b>ENDS</b>	<b>SIZE</b>
S1 = Seal Welded 1000WOG Full Port	F = Full	S = Stainless (CF8M)	S = 316 Stainless	R = R-PTFE Z = Steam Seats	R = R-PTFE G = Graphite	SL = Stainless Latch Lock SO = Stainless Oval LO = Stainless Locking Oval PA = Double Acting Pneumatic SA = Spring Return Pneumatic	TT = FNPT	025 = 1/4" 038 = 3/8" 050 = 1/2" 075 = 3/4" 100 = 1" 125 = 1-1/4" 150 = 1-1/2" 200 = 2"