



## Series S2-CS & SS

### Seal Welded Steel Ball Valve

#### FEATURES

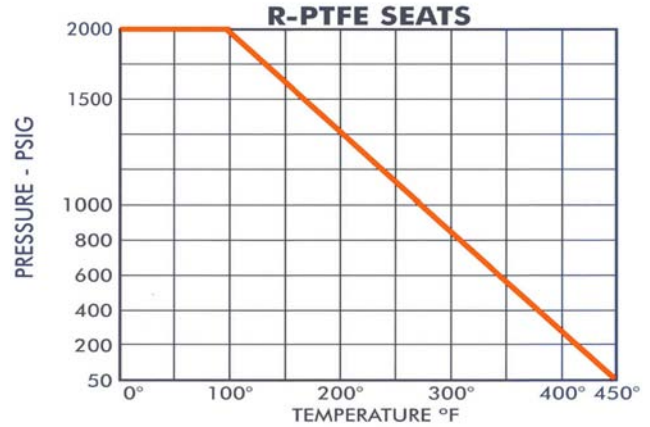
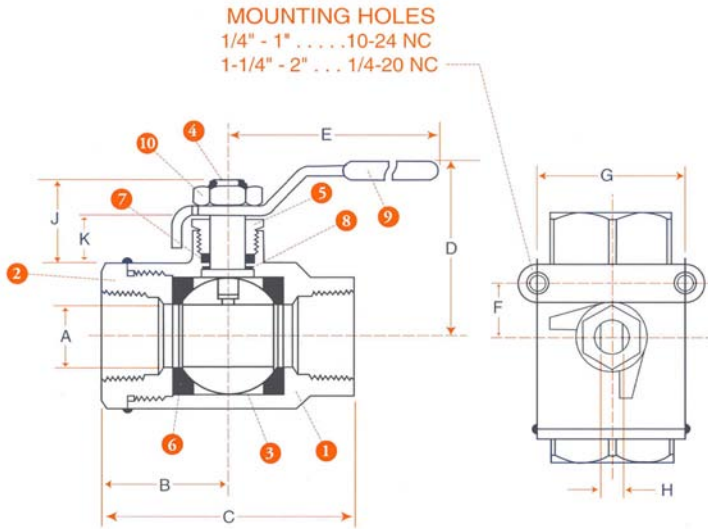
- ONE PIECE - SEAL WELDED CONSTRUCTION
- 2000 WOG Rating on All Sizes
- 150 PSIG Saturated Steam Rating
- All Models are NACE MR-01-75 Compliant
- CF8M or WCB Bodies and Tailpieces, 316 Stainless Steel Internals
- Available in Full, Alloy-20 (CN7M) Construction
- Available in Male x Female Construction in 1/4" - 1" Sizes
- Standard Actuator Mounting Pads on all Sizes
- Standard Stainless Steel Locking Handles
- Locking Oval Handles Available in Stainless Steel
- The Ultimate in Safe Design!

#### RATINGS

2000 PSIG @100F Water, Oil, Gas  
150 PSIG Saturated Steam

#### MATERIALS OF CONSTRUCTION

PART	DESCRIPTION	STANDARD MATERIAL	OPTIONAL MATERIAL(S)
1	Body	ASTM A351 Gr. CF8M or A216 Gr. WCB	
2	Tailpiece	ASTM A351 Gr. CF8M or A216 Gr. WCB	
3	Ball	ASTM A276 Gr. 316	
4	Stem	ASTM A276 Gr. 316	
5	Packing Nut	ASTM A276 Gr. 316	
6	Seats (2)	R-PTFE	Steam Seats, PEEK
7	Packing	R-PTFE	Graphite, PEEK
8	Thrust Washer	R-PTFE	PEEK
9	Handle Assy	Stainless Steel w/Vinyl	Stainless Locking Oval
10	Handle Nut	Stainless Steel	



**DIMENSIONS, WEIGHTS, CV FACTORS & MAXIMUM OPERATING TORQUE**

SIZE	A	B	C	D	E	F	G	H	J	K	WEIGHT LBS.	CV	MAX. TORQUE
1/4-3/8"	.38	1.1	2.2	1.8	4.4	.50	1.12	.20	.86	.50	.50	9	40 IN-LB
1/2"	.50	1.2	2.4	2.0	4.4	.50	1.12	.20	.96	.55	.66	16	75 IN-LB
3/4"	.69	1.4	2.8	2.4	5.9	.87	1.38	.28	1.32	.71	1.32	27	120 IN-LB
1"	.87	1.6	3.2	2.6	5.9	.87	1.38	.28	1.31	.70	1.81	42	140 IN-LB
1-1/4"	1.0	1.8	3.6	2.8	7.8	.93	1.50	.35	1.42	.76	2.51	52	250 IN-LB
1-1/2"	1.3	2.1	4.1	3.0	7.8	.93	1.50	.35	1.42	.76	3.74	80	300 IN-LB
2"	1.5	2.3	4.6	3.2	7.8	.93	1.50	.35	1.42	.77	5.53	115	320 IN-LB

**Numbering System ... How to Order**

<u>S2</u>	<u>R</u>	<u>S</u>	<u>S</u>	<u>R</u>	<u>R</u>	<u>SL</u>	<u>TT</u>	<u>100</u>
<b>SERIES</b>	<b>PORT SIZE</b>	<b>BODY MATERIAL</b>	<b>BALL/STEM MATERIAL</b>	<b>SEAT MATERIAL</b>	<b>SEAL MATERIAL</b>	<b>HANDLE TYPE</b>	<b>ENDS</b>	<b>SIZE</b>
S2 = Seal Welded 2000WOG	F = Full (1/4" - 1/2") R = Reduced (3/4" - 2")	S = Stainless (CF8M) C = Carbon (WCB)	S = 316 Stainless	R = R-PTFE P = Peek Z = Steam Seats	R = R-PTFE P = Peek G = Graphite	SL = Stainless Latch Lock SO = Stainless Oval LO = Stainless Locking Oval PA = Double Acting Pneumatic SA = Spring Return Pneumatic SR = Deadman Handle	TT = FNPT MT = MxF NPT	025 = 1/4" 038 = 3/8" 050 = 1/2" 075 = 3/4" 100 = 1" 125 = 1-1/4" 150 = 1-1/2" 200 = 2"