

Quadrant™ Series S5-SS

Seal Welded High Pressure Ball Valves



Features

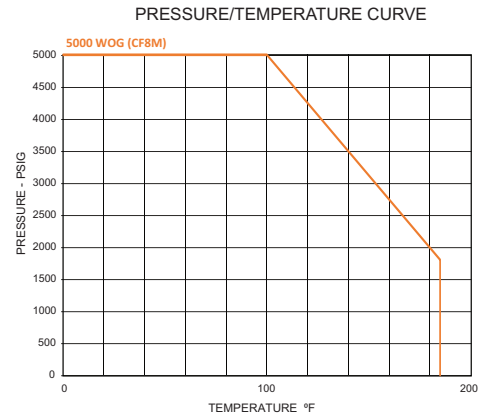
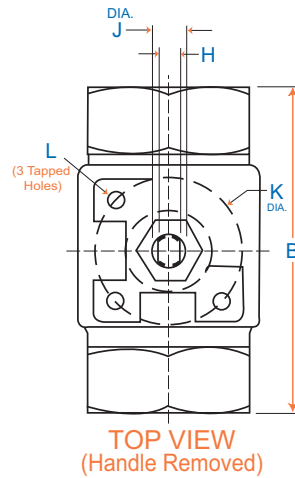
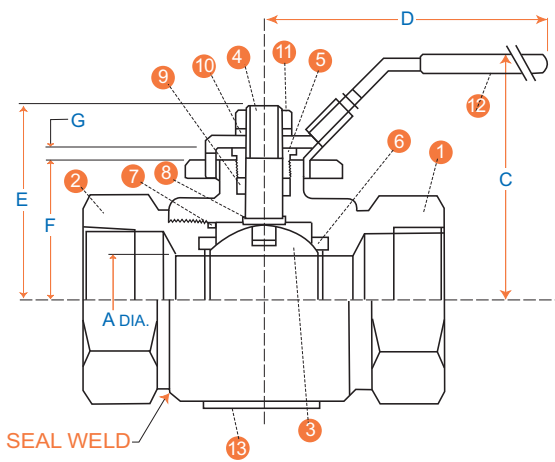
- Seal Welded Construction
- Full Port and Reduced Port Versions Available
- All Stainless Construction - CF8M Bodies
- Tailpieces, 316SS Internals
- 5000 WOG Rating on All Sizes
- Delrin Seats Standard
- All Models are NACE MR0175 Compliant
- All Models are API 607 Fire Safe
- Standard ISO Actuator Mounting Pads on all Sizes
- Standard Locking Stainless Steel Handles
- The Ultimate Valve for Safe High Pressure Service
- API 641 Certified

Materials of Construction

PART	DESCRIPTION	STANDARD MATERIAL
1	Body	ASTM A351 GR. CF8M
2	Tailpiece	ASTM A351 GR. CF8M
3	Ball	ASTM A276 GR. 316 SS
4	Stem	316SS or 17-4PH (1-1/2-2")
5	Packing Nut	ASTM A276 GR. 316 SS
6	Seats (2)	Delrin 100AF
7	Tailpiece Seal	Graphite
8	Thrust Washer	PTFE
9	Stem Packing	Graphite
10	Lock Washer	304 SS
11	Handle Nut	304 SS
12	Handle Assy.	304 SS

RATINGS

5000 PSIG @100F Water, Oil, Gas
No steam service rating (Delrin seats)



Dimensions, Weights, CV Factors & Maximum Operating Torque

SIZE	A	B	C	D	E	F	G	H	J	K DIA.	L (3 TAPPED HOLES)	ISO PATTERN	WT. LBS.	CV	MAX. TORQUE
1/4" FP	.25	3.0	2.28	4.94	1.63	.97	.34	.20	.31	1.42	1/4"-20 UNC	F03	1.6	10	75 IN-LB
1/2" FP	.50	4.0	2.28	4.94	1.63	.97	.34	.20	.31	1.42	1/4"-20 UNC	F03	1.6	16	75 IN-LB
3/4" FP	.75	4.25	2.80	5.57	2.22	1.29	.42	.28	.43	1.65	1/4"-20 UNC	F04	2.7	32	120 IN-LB
1" RP	.75	4.25	2.80	5.57	2.22	1.29	.42	.28	.43	1.65	1/4"-20 UNC	F04	3.0	44	200 IN-LB
1" FP	1.0	4.49	3.70	7.20	2.79	1.65	.43	.35	.56	1.97	1/4"-20 UNC	F05	6.2	62	400 IN-LB
1-1/2" FP	1.5	5.29	4.60	13.85	3.87	2.51	.50	.39	.62	2.76	5/16"-18 UNC	F07	11.3	140	750 IN-LB
2" RP	1.5	6.25	4.60	13.85	3.87	2.51	.50	.39	.62	2.76	5/16"-18 UNC	F07	11.7	120	750 IN-LB

Numbering System ... How to Order

S5	F	S	S	A	F	SL	TT	050
SERIES	PORT SIZE	BODY MATERIAL	BALL/STEM MATERIAL	SEAT MATERIAL	SEAL MATERIAL	HANDLE TYPE	ENDS	SIZE
S5 = Seal Welded 5000 WOG	R = Reduced F = Full	S = Stainless (CF8M)	S = 316 Stainless	A = ACETAL (Delrin)	F = Graphite	SL = Stainless Latch Lock LO = Locking Stainless Oval PA = Double Acting Pneumatic SA = Spring Return Pneumatic	TT = FNPT	025 = 1/4" 038 = 3/8" 050 = 1/2" 075 = 3/4" 100 = 1" 150 = 1-1/2" 200 = 2"