

Quadrant™ Series S6-CS & SS

Seal Welded Extreme Pressure Ball Valves



ASME B16.34 & API 608 Compliant



Features

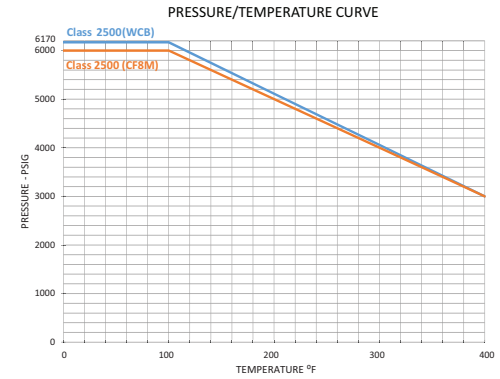
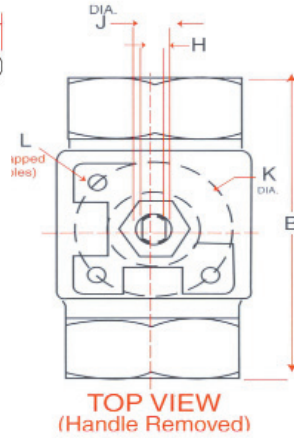
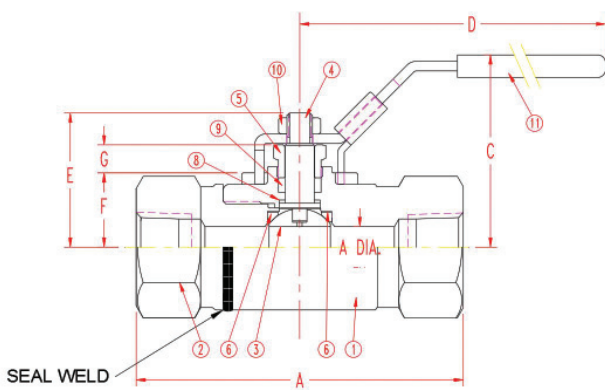
- Seal Welded Construction
- Full Port and Reduced Port Versions Available
- 6000 WOG Rating on CF8M Construction
- 6170 WOG Rating on WCB Construction
- Fully Compliant with ASME B16.34 Class 2500
- PEEK Seats Standard
- NPT, MxF NPT and Socket Weld Ends Available
- All Models are NACE MR0175 Compliant
- All Models are API 607 Fire Safe
- Fully Compliant with API 608
- Standard ISO Actuator Mounting Pads on All Sizes
- Standard Locking Stainless Steel Handles
- The Ultimate Value for Safe Extreme Pressure Service

Materials of Construction

PART	DESCRIPTION	STANDARD MATERIAL
1	Body	ASTM A351 GR. CF8M or A216 GR. WCB
2	Tailpiece	ASTM A351 GR. CF8M or A216 GR. WCB
3	Ball	ASTM A276 GR. 316 SS
4	Stem	17-4PH SS
5	Packing Nut	ASTM A276 GR. 316 SS
6	Seats (2)	PEEK
7	Tailpiece Seal	Graphite
8	Thrust Washer	PEEK
9	Stem Packing	Graphite
10	Handle Nut	304 SS
11	Handle Assy.	304 SS
12	Name Plate	300 SS

RATINGS

6000 PSIG @ 100F Water, Oil, Gas (CF8M)
 6170 PSIG @ 100F Water, Oil, Gas (WCB)
 250 PSIG Saturated Steam (PEEK Seats)



Dimensions, Weights, CV Factors & Maximum Operating Torque

SIZE	A	B	C	D	E	F	G	H	J	K DIA	L (3 TAPPED HOLES)	ISO PATTERN	WT. LBS.	CV	MAX. TORQUE
1/4" FP	.25	3.00	2.39	4.98	1.63	.89	.34	.20	.31	1.42	1/4"-20 UNC	F03	1.7	10	100 IN-LB
1/2" FP	.50	4.00	2.39	4.98	1.63	.89	.34	.20	.31	1.42	1/4"-20 UNC	F03	1.7	16	140 IN-LB
3/8" FP	.25	3.00	2.39	4.98	1.63	.89	.34	.20	.31	1.42	1/4"-20 UNC	F03	1.6	10	100 IN-LB
3/4" FP	.75	4.25	2.96	5.61	2.22	1.29	.42	.28	.44	1.65	1/4"-20 UNC	F04	3.5	32	270 IN-LB
1" RP	.75	4.25	2.96	5.61	2.22	1.29	.42	.28	.44	1.65	1/4"-20 UNC	F04	3.6	44	270 IN-LB
1" FP	1.00	4.75	3.70	7.24	2.80	1.65	.43	0.35	0.57	1.97	1/4"-20 UNC	F05	6.8	62	700 IN-LB
1-1/4" RP	1.5	5.29	4.78	13.90	3.87	2.47	.54	.39	.64	2.76	5/16"-18UNC	F05	6.8	62	700 IN-LB
1-1/2" FP	1.5	5.29	4.78	13.90	3.87	2.47	.54	.39	.64	2.76	5/16"-18UNC	F07	15.7	140	1200 IN-LB
2" RP	1.5	6.25	4.78	13.90	3.87	2.47	.54	.39	.64	2.76	5/16"-18UNC	F07	16.0	120	1200 IN-LB

Numbering System ... How to Order

<u>S6</u>	<u>F</u>	<u>S</u>	<u>S</u>	<u>P</u>	<u>F</u>	<u>SL</u>	<u>TT</u>	<u>075</u>
SERIES	PORT SIZE	BODY MATERIAL	BALL/STEM MATERIAL	SEAT MATERIAL	SEAL MATERIAL	HANDLE TYPE	ENDS	SIZE
S6 = Seal Welded 6000 WOG	R = Reduced F = Full	S = Stainless (CF8M) C = Carbon (WCB)	S = 316 Stainless A = Alloy 20	P = Peek	F = Graphite & F = Graphite (older part numbers)	SL = Stainless Latch Lock PA = Double Acting Pneumatic SA = Spring Return Pneumatic EA = 115VAC Electric Actuated	TT = FNPT MT = MxF NPT WW = Socket Weld WT = Socket Weld x FNPT	025 = 1/4" 038 = 3/8" 050 = 1/2" 075 = 3/4" 100 = 1" 150 = 1-1/2" 200 = 2"