

# Quadrant™ Series SX-CS & SS

## Seal Welded High Pressure Ball Valves



### Features

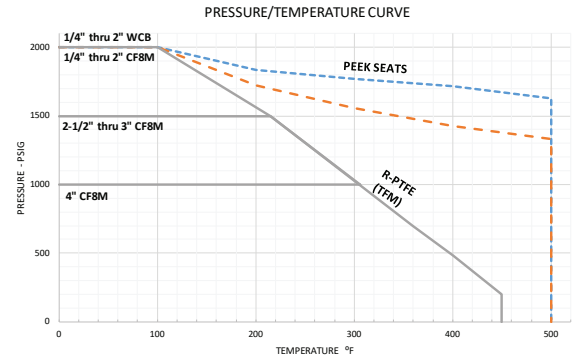
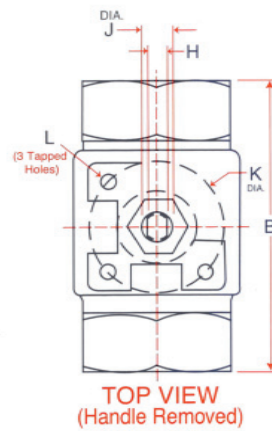
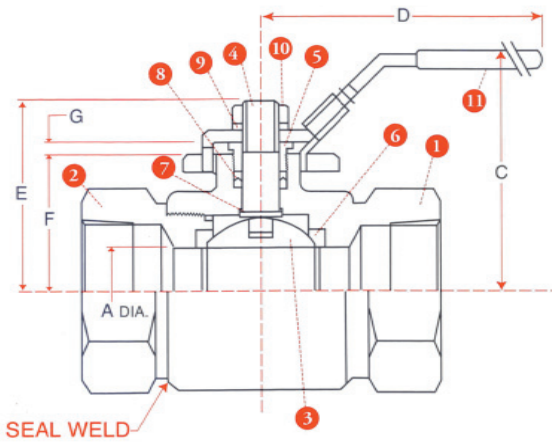
- Seal Welded Construction
- Available in WCB Carbon Steel with 316SS Trim, or Full CF8M/316 Stainless
- Full Port - All Sizes
- 2000 WOG Rating 1/4" - 2"
- 1500 WOG Rating 2-1/2" - 3", 1000 WOG on 4"
- All Models are NACE MR0175 Compliant
- All Models are API 607 Fire Safe
- Elevated Packing Nut for Ease of Access When Automated
- Standard ISO Actuator Mounting Pads on all Sizes
- Standard Locking Stainless Steel Handles
- Optional PEEK Seats for High Temp Service
- Optional Oval Handles

### Materials of Construction

PART	DESCRIPTION	STANDARD MATERIAL
1	Body	CF8M or WCB
2	Tailpiece	CF8M or WCB
3	Ball	ASTM A276 Gr. 316 SS
4	Stem	ASTM A276 Gr. 316 SS
5	Packing Nut	ASTM A276 Gr. 316 SS
6	Seats (2)	R-PTFE or Peek
7	Thrust Washer	PTFE
8	Stem Packing	Graphite
9	Lock Washer	304 SS
10	Handle Nut	304 SS
11	Handle Assy.	304 SS

### RATINGS

1/4" - 2" ..... 2000 WOG @ 100°F  
 2-1/2" - 3" ..... 1500 WOG @ 100°F  
 4" ..... 1000 WOG @ 100°F  
 200 PSIG Saturated Steam



### Dimensions, Weights, CV Factors & Maximum Operating Torque

SIZE	A (PORT)	B	C	D	E	F	G	H	J DIA	K DIA	L (3 TAPPED HOLES)	ISO PATTERN	WT. LBS.	CV	MAX TORQUE	
															R-PTFE	PEEK
1/4-3/8"	.43	2.64	2.1	5.04	1.53	.78	.35	.20	.31	1.42	1/4"-20 UNC	F03	1.1	10	50	-
1/2"	.50	2.64	2.1	5.04	1.53	.78	.35	.20	.31	1.42	1/4"-20 UNC	F03	1.0	16	60	90
3/4"	.81	2.99	2.93	5.61	2.26	1.3	.37	.28	.44	1.65	1/4"-20 UNC	F04	1.7	32	105	144
1"	1.00	3.54	3.15	5.61	2.49	1.47	.41	.28	.44	1.65	1/4"-20 UNC	F04	2.1	62	145	216
1-1/4"	1.25	3.94	3.82	7.24	2.92	1.77	.44	.35	.57	1.97	1/4"-20 UNC	F05	3.8	115	300	-
1-1/2"	1.50	4.41	4.06	7.76	3.18	2.02	.44	.35	.57	1.97	1/4"-20 UNC	F05	6.0	140	350	480
2"	1.97	5.0	4.52	7.76	3.64	2.38	.55	.35	.57	1.97	1/4"-20 UNC	F05	8.7	365	550	720
2-1/2"	2.50	6.57	5.0	13.9	4.33	2.88	.55	.47	.75	2.76	5/16"-18 UNC	F07	18	450	1050	-
3"	2.99	7.17	5.4	13.9	4.73	3.27	.53	.47	.75	2.76	5/16"-18 UNC	F07	26	1100	1350	-
4"	3.94	8.56	7.28	18.11	5.91	4.63	.53	.67	1.00	2.76	5/16"-18 UNC	F07	45	2200	2200	-

### Numbering System ... How to Order

<b>SX</b>	<b>F</b>	<b>S</b>	<b>S</b>	<b>R</b>	<b>G</b>	<b>SL</b>	<b>TT</b>	<b>100</b>
<b>SERIES</b>	<b>PORT SIZE</b>	<b>BODY MATERIAL</b>	<b>BALL/STEM MATERIAL</b>	<b>SEAT MATERIAL</b>	<b>SEAL MATERIAL</b>	<b>HANDLE TYPE</b>	<b>ENDS</b>	<b>SIZE</b>
1/4" - 2" SX = Seal Welded 2000 WOG 2-1/2" - 3" = 1500 WOG 4" = 1000 WOG	F = Full	1/4" - 4" S = Stainless (ASTM A351-CF8M) 1/4" - 2" C = Carbon (A216-WCB)	S = 316 Stainless	R = R-PTFE P = Peek	G = Graphite	SL = Stainless Latch Lock LO = Locking Stainless Oval ST = 304SS Tee Handle PA = Double Acting Pneumatic SA = Spring Return Pneumatic EA = 115VAC Electric Actuated	TT = FNPT WW = Socket Weld WT = Socket Weld x FNPT	025 = 1/4" 038 = 3/8" 050 = 1/2" 075 = 3/4" 100 = 1" 125 = 1-1/4" 150 = 1-1/2" 200 = 2" 250 = 2-1/2" 300 = 3" 400 = 4"