

## MODEL 5000 DAV™ GATE VALVE

+1 713-351-7900

f-e-t.com

ForumDP.Sales@f-e-t.com



## INTRODUCTION

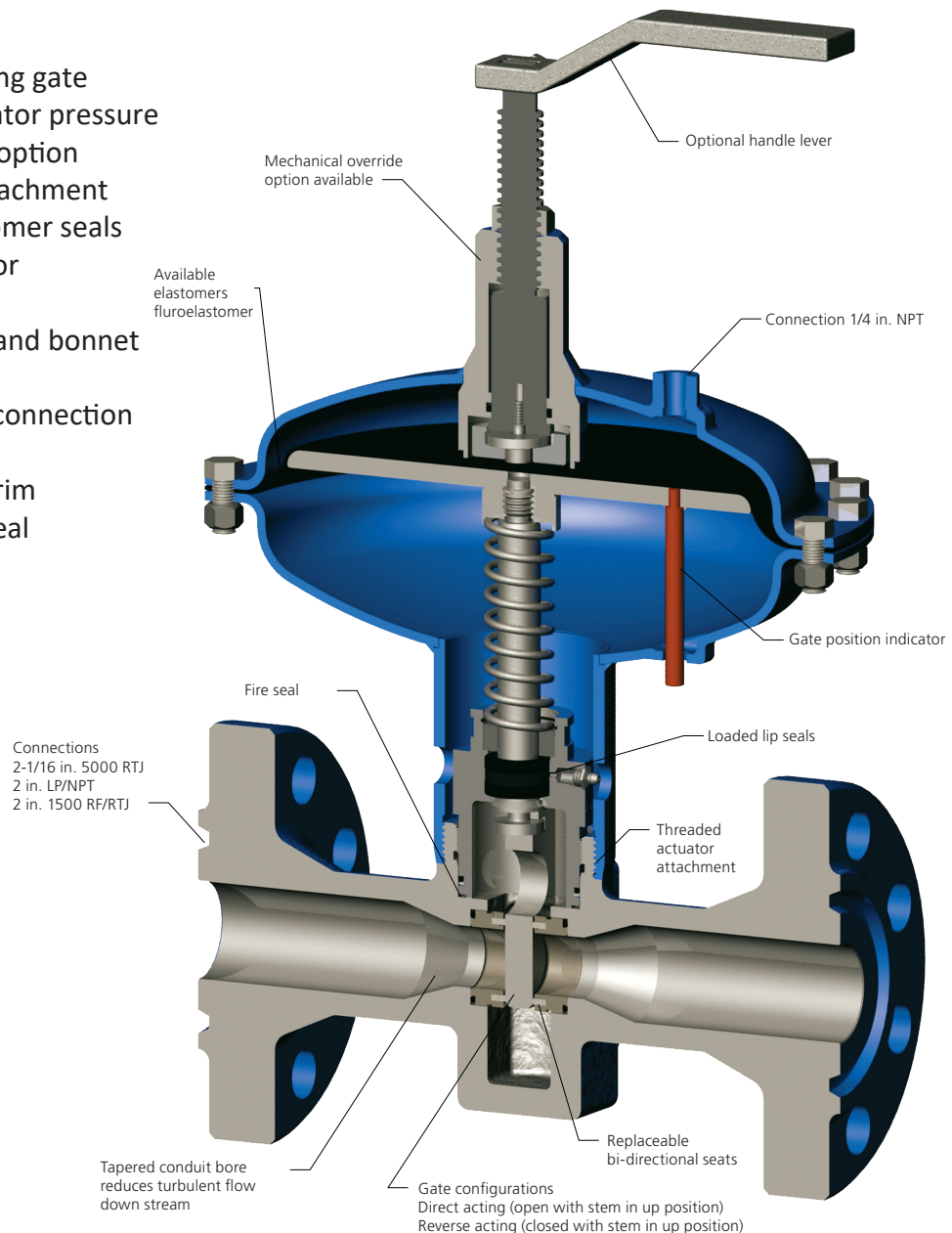
The Forum Diaphragm Actuated Gate Valve (DAV) is a 2-in. x 1-1/4-in. reduced port, bi-directional flowsafety valve. It utilizes two floating seats and a slab gate of hardened steel to provide a durable complete seal. The spring return diaphragm actuator assures positive fail-open or fail-close operation. The DAV is the most simple, reliable, all-in-one safety valve designed to minimize the cost and size of your safety system. It provides protection of energy resources, life, property and the environment. The DAV is available pneumatically actuated or with an optional mechanical override. The maximum valve working pressure is 5,000 psi (345 bar). The valve is available with 2-in. LP/NPT or flanged ends, 2-1/16-in. API 5,000 RTJ or 2-in. 1,500 RF/RTJ. The valve actuator requires a minimum of 60 psi (4 bar) control pressure to operate the valve at maximum working pressure.

### Features

- Direct or reverse acting gate
- 60 psi maximum acuator pressure
- Mechanical override option
- Threaded acuator attachment
- Buna-N or fluroelastomer seals
- Gate position indicator
- Replaceable seats
- Low alloy steel body and bonnet
- Stainless steel trim
- 1/4 in. NPT actuator connection
- In-line repairable
- Standard and NACE trim
- Metal-to-metal fire seal
- Bi-directional flow

### Applications

- Wellhead wing
- Shutdown
- Casing relief
- Intermittent process
- Blowdown
- Gas lift
- Dump



## HI-LO PILOT SYSTEM AND CONTROLS

### 2 in. x 1-1/4 in. 5000 DAV™

#### Features

- Rugged, flexible, and customizable Hi-Lo Pilot Systems built to your specifications
- Stainless steel tubing and instrumentation standard
- Alternative materials available
- Manual reset or optional automatic resets

#### Optional Equipment Available

- Vent screens
- Tattletales
- Pilot scales
- Gauges
- Test connections
- Relay stem protector
- Relief valves
- Fuse plugs



**Engineering Assembly and Part Numbering System**  
**Product Number (1st–3rd digits)**

8 8 6

**Actuated/Service/Mechanical Override Option/  
 Body Max WP (4th–5th digit)**

- 43–Actuated/standard service/NA/5,000 psi
- 45–Actuated/H2S service/NA/5,000 psi
- 56–Actuated/standard service/mechanical override/5,000 psi
- 57–Actuated/H2S service/mechanical override/5,000 psi

**Bore Size (6th digit)**

1–1-1/4 in. reduced port

**Gate Configuration (7th digit)**

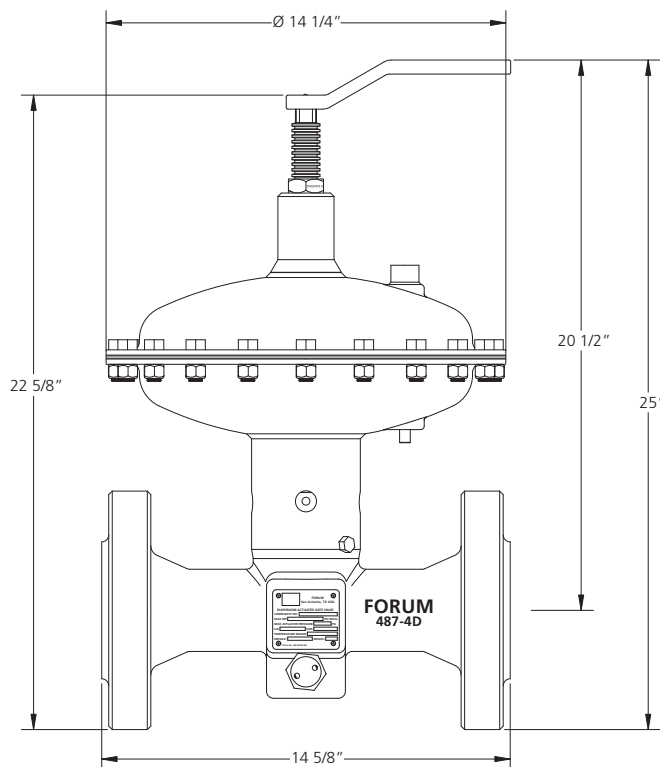
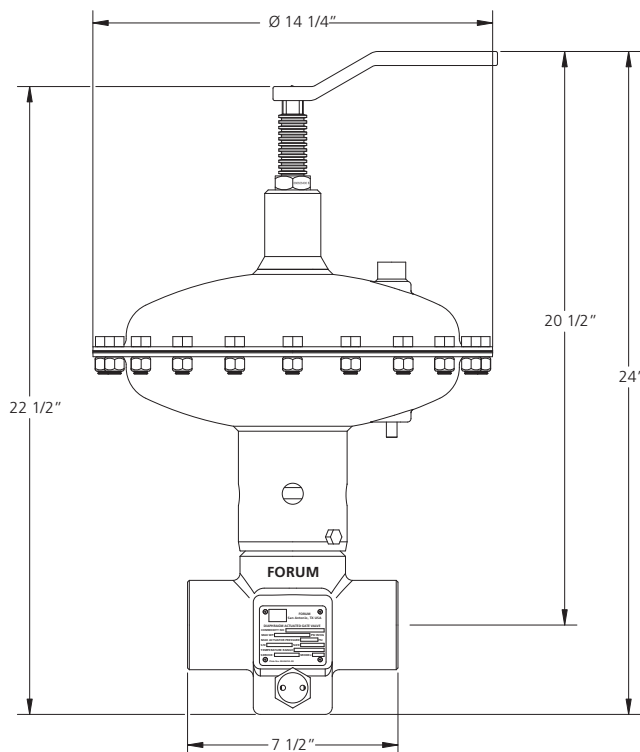
- 1–Direct acting (fail-open, valve is open when stem is up)
- 2–Reverse acting (fail-closed, valve is closed when stem is up)

**End Connection Classification (8th digit)**

7–API 5,000 or LP/NPT

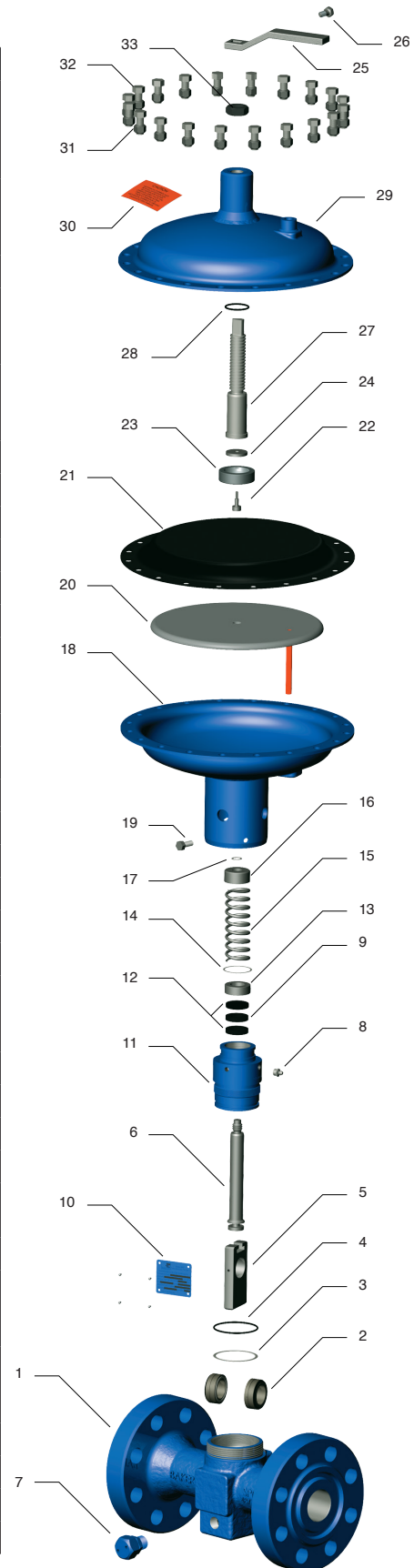
**End Connection (9th digit)**

- 0–Threaded, LP/NPT
- 1–Flanged, raised face
- 2–Flanged, RTJ



# PARTS AND WEIGHTS

Item	Description	Commodity	Quality	Weight
1	Body—ASTM A487-4D Steel 2-1/16 in. RTJ 2 in. 1500 RF/RTJ 2 in. LP/NPT	052128420	1	65
		052128720	1	66
		052159120	1	17
2	Seat Assembly Buna-N O-Ring Fluoroelastomer O-Ring	080668400	2	0.5
		080628200	2	0.5
3	Fire Seal—316 SS/Other	080625400	1	—
4	Bonnet Seal O-Ring Buna-N Fluoroelastomer	WWB230H30	1	—
		WWB230V35	1	—
5	Gate—17-4 PH SS Reverse Acting Direct Acting	080599200	1	1
		080627300	1	1
6	Stem—17-4 PH SS	080599100	1	1
7	Grease Fitting—4130 Steel	WU0410103	1	—
8	Grease Fitting—Steel	WVA116340	1	1
9	Back Up Ring—Peek	080607500	1	—
10	Nameplate—SS	080625200	1	—
11	Bonnet—4130 Steel	080599300	1	3
12	Loaded Lip Seal Polyurethane/Buna-N Fluoroelastomer/Fluoroelastomer	WWP40EAD1	2	—
		WWP40EAE3	2	—
13	Seal Retainer—SS	080607400	1	—
14	Spiral Retainer Ring—SS	WORRNS162	1	—
15	Spring—Alloy Steel	080599000	1	—
16	Spring Retainer—SS	080598900	1	—
17	Spiral Ring—SS	WOUS05050	1	—
18	Lower Diaphragm Housing—Steel	052159320	1	13
19	Hex Head Bolt—Alloy Steel	WWHB1216D	1	—
20	Diaphragm Plate Weld Assembly—Steel	052159820	1	9
21	Diaphragm Buna-N Fluoroelastomer	052158500	1	1
		052158502	1	1
22	Shoulder Screw—SS	WWGH0816D	1	—
23	Foot Opener—Steel	080623400	1	—
24	Thrust Washer	080623500	1	—
25	Optional Handle—Steel	929150000	1	1
26	Optional Handle Lockscrew—Alloy Steel	WWG31B1SS	1	—
27	Shaft—SS	080623600	1	1
28	O-Ring Buna-N Fluoroelastomer	WWB218H30	1	—
		WWB218V35	1	—
29	Upper Diaphragm Housing—Steel With Manual Override Without Manual Override	052159420	1	14
		052159520	1	11
30	Caution Sticker	080626300	1	—
31	Nut—Alloy Steel	WWJ11D123	20	—
32	Bolt—Alloy Steel	WWHB12010	20	—
33	Lock Nut—SS	080626400	1	—





## Drilling Sales Headquarters

10344 Sam Houston Park Drive, Suite 300  
Houston, TX 77064  
USA  
Tel: 713 351 7900



## Regional Offices

Peregrine Road, Westhill  
Aberdeenshire, AB32 6JL  
Tel: +44 1224 744000

Oilfields Supply Center  
Building B-20/21  
Jebel Ali Free Zone Dubai UAE  
Tel: 971 4 883 5266

#106, 3903 - 75 Ave  
Leduc, Alberta T9E 0K3  
Canada  
Tel: 780 980 0345

No 51 Benoi Road #06-00  
Liang Huat Industrial Complex,  
Singapore 629908  
Tel: +65 6465 4850

## OUR CORE VALUES

### No One Gets Hurt

The safety of our employees and customers is our first priority coupled with a healthy respect for the environment.

### Integrity

In everything we do, in every interaction, both internally and externally, we strive to operate with the utmost integrity and mutual respect.

### Customer Focused


Our products enhance our customer's performance and we listen to their needs and work with them to solve their challenges.


### Good Place To Work

We are committed to creating a workplace that fosters innovation, teamwork and pride. Every team member is integral to our success and is treated equally and fairly.

---

### **Forum Energy Technologies**

 10344 Sam Houston Park Drive, Suite 300  
Houston, TX 77064

 +1 713-351-7900

 f-e-t.com

 ForumDP.Sales@f-e-t.com