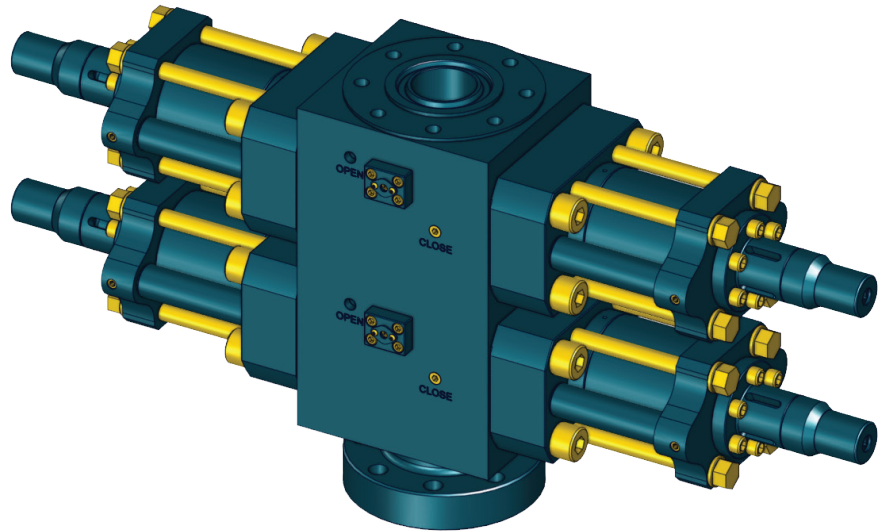


10 KSI BOPs

General Specifications

- Service: H2S
- MWP: 10,000 PSI
- Standard Operating Temperatures: -29°C to 121°C (-20°F to 250°F)
- Low Operating Temperatures: -45°C to 82°C (-50°F to 180°F)
- Ram Types: Blind, Shear, Slip, Pipe, Shear-Seal, Slip-Seal



Type	Size	Weight	Dimensions	Max Coil	Bore Size	Flanged Connections	Part Number
QUAD	5-1/8	5,519 lbs	57 x 59 x 16	3 1/4	5.12	BX-169	P506QBX0
QUAD	4-1/16	3,800 lbs	49 x 52 x 14	2 3/8	4.06	BX-155	P406QBX0C
QUAD	3-1/16	1,400 lbs	34 x 34 x 11	2	3.06	BX-154	P306QB00A
DUAL	5-1/8	2,994 lbs	33 x 69 x 16	2 7/8	5.12	BX-169	P506DBX0
DUAL	4-1/16	2,200 lbs	28 x 60 x 14	2 3/8	4.06	BX-155	P406DBX0C
DUAL	3-1/16	1,125 lbs	22 x 42 x 11	1 3/4	3.06	BX-154	P306DCB0
SINGLE	5-1/8	1,606 lbs	20 x 69 x 16	2 7/8	5.12	BX-169	P506SBX10
SINGLE	4-1/16	1,362 lbs	18 x 60 x 14	2 3/8	4.06	BX-155	P406SBX10
SINGLE	3-1/16	564 lbs	18 x 42 x 11	1 3/4	3.06	BX-154	1089497