

# Rotating Joints

## Description

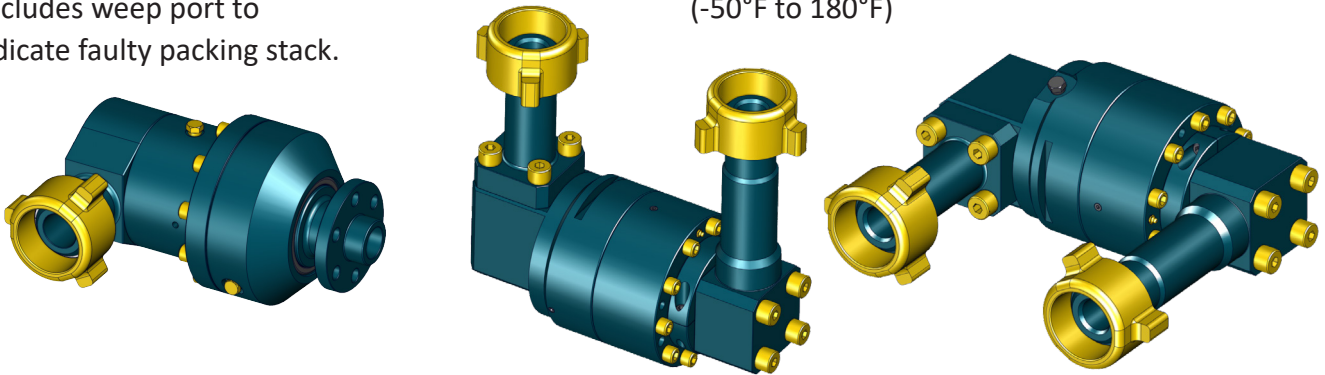
Forum's Coiled Tubing rotating joints / swivels are designed to support your CT pumping operations with a variety of bore sizes, connection types, and shapes, including 90°, 180°, and straightbore. Multi-style seals and a heavy duty bearing design in a hydraulic oil bath ensures a wide pressure sealing range and a long, reliable service life.

## Features

- Roller bearing design to provide longer bearing life
- Oil bath for bearings with oil level check port.
- Advanced packing stack design provides improved seal over a wide range of pressures and temperatures.
- Includes weep port to indicate faulty packing stack.

## General Specifications

- Bore Size/MWP: 1.5" - 2.5" 10,000 PSI to 15,000 PSI
- Service: Standard/H2S
- Standard Operating Temperatures: -29°C to 121°C (-20°F to 250°F)
- Low Operating Temperatures: -45°C to 82°C (-50°F to 180°F)



## Lubricators | Spools, Adapters | Crossovers, Flow Tees Crosses, Chemical Injection Subs, Quick Test Subs

## Description

Forum offers a wide selection of pressure control accessories and equipment including lubricators, adapters, flow tees/crosses, and bleed subs. All equipment matches the working pressure, service rating, and end connections consistent with surface pressure control equipment.

## Features

- Lubricators/Risers (Integral or Threaded)
- Adapters/Bleed Subs
- Flow Tees/Crosses

