


# PBV<sup>®</sup> P-8/P-9

## API 6D FLANGED SWING CHECK VALVES

 +1 281 637 2000

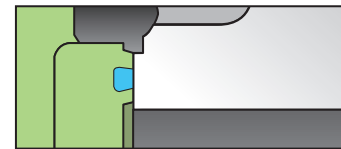
 [f-e-t.com/PBV](http://f-e-t.com/PBV)

 [ForumVS.PBV@f-e-t.com](mailto:ForumVS.PBV@f-e-t.com)



## STANDARD FEATURES

- » 316 SS Clapper & Pin 2", 3", & 4", WCC + 316L Overlay, Clapper 6" and above
- » 316 SS Overlay on Integral and Removable Seat Designs
- » 316 SS Overlay on Body Disc Contact
- » API 6D Monogrammed
- » Material Meets NACE MR0175- ISO 15156
- » Graphite Secondary Body Gasket for Firesafe Operation
- » Dove Tail Seat /Clapper O-Ring Seal Groove
- » Full Port Piggable
- » Blind Bolt Holes and Metal-to-Metal Body Cover
- » WCC Body Material
- » Viton® GF Seals
- » Hydrostatic Tested 100% to API 6D and Optional Low Pressure Air
- » In-Line Repairable
- » Bleed Plug On Cover
- » Cast Feet To Prevent Roll Over (10" & larger)
- » Suitable for Horizontal Installation
- » Vertical Upflow Installation (Consult factory for more information.)



P-8 Standard Integral Seat Design Seals with a Clapper O-Ring

## HOW TO ORDER

### Specifying PBV P-8 & P-9 Figure Numbers

**Example:** 4" P-860-11-2236-YY This number represents a 4" P Series, Integral Seat Design, Class 600, Firesafe to API 6FD, Raised-Face End Connections, Carbon Steel Body and Cover, Stainless Steel Disc, Viton GF Seals, NACE, no modifications.

Series	Design	Pressure Class	Fire Tested	End Connection	Body/Cover Material	Trim Material	Seat Seals	Cover Seals
P	8	60	1	1	22	36	Y	Y
PB	8	10	1	1	22	36	B	B
	6D Integral Seat	150	API 6FD	RF	Carbon Steel-WCC	Stainless Steel	Buna N	Buna N / Graphite
	9	300		2	28	00	R	R
	6D Removable Seat	600		Non-Standard	LT Carbon Steel-LCC	Same As Body	LT Buna N	LT Buna N
		90		3			Viton® GF	Y
		900		4			Viton B AED*	Viton® GF / Graphite
		15		5			Z	W
		1500		RTJ			Metal with Stellite®	Viton® B AED*
		25		6				Z
		2500		RTJ x WE				RTJ
								L
								Graphite

**NOTE:** Other materials available upon request. \*API 6D requires AED for Class 600 and above.

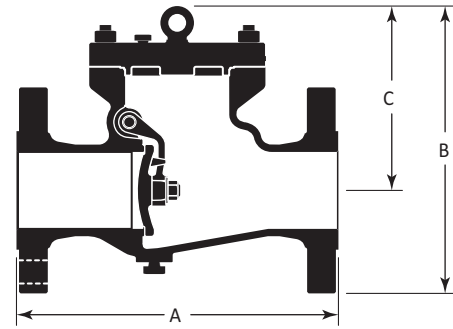
### Manufactured in Strict Conformance with the Following Industry Standards

- ISO 9001 Quality System
- API 6D Specification for Pipeline Valves
- ASME B16.34 Valves - Flanged, Threaded, and Welding End
- ASME B16.5 Pipe Flanges and Flanged Fittings
- NACE MR0175- ISO 15156
- CSA #Z245.15 Steel Valves
- ASME Section VIII Division 1 Boiler and Pressure Vessel Code
- Canadian Registration Number (CRN) Products Registered in all Provinces and Territories

## DIMENSIONAL DATA

2" to 10"

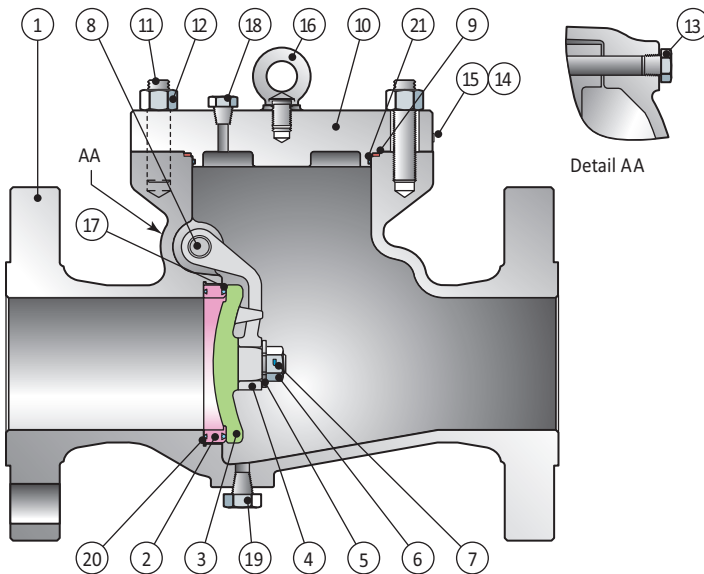
Size (in.)	ANSI Class	A RF	A RTJ	B	C	Wt. (lbs.)
2	150	8.0	8.5	8.7	5.7	31
	300	10.5	11.1	8.9	5.7	40
	600	11.5	11.6	9.4	6.1	62
	900	14.5	14.6	10.5	8.5	150
	1500	14.5	14.6	10.5	8.5	150
3	150	9.5	10.0	9.7	6.0	49
	300	12.5	13.1	11.7	7.6	73
	600	14.0	14.1	11.7	7.6	112
	900	15.0	15.1	11.8	9.5	180
4	150	11.5	12.0	11.5	7.0	84
	300	14.0	14.6	13.3	8.3	99
	600	17.0	17.1	14.1	8.7	148
	900	18.0	18.1	14.0	11.5	250
	1500	21.5	21.6	17.7	11.6	441
6	150	14.0	14.5	16.2	10.7	128
	300	17.5	18.1	16.9	10.6	216
	600	22.0	22.1	17.4	10.4	238
	900	24.0	24.1	21.0	13.5	564
	1500	27.8	28.0	24.2	16.4	849
8	150	19.5	20.0	19.1	12.4	221
	300	21.0	21.6	19.8	12.3	309
	600	26.0	26.1	22.3	14.1	992
	900	29.0	29.1	24.0	18.5	1010
10	150	24.5	25.0	23.9	15.0	441
	300	24.5	25.1	23.9	14.7	582
	600	31.0	31.1	27.3	16.5	1261
	900	33.0	33.1	31.0	21.5	1785



12" to 24"

Size (in.)	ANSI Class	A RF	A RTJ	B	C	Wt. (lbs.)
12	150	27.5	28.0	28.3	17.8	688
	300	28.0	28.6	29.5	18.3	893
	600	33.0	33.1	30.8	19.0	1455
	900	38.0	38.1	36.0	24.0	2370
14	150	31.0	31.5	24.3	16.2	1085
	300	33.0	33.6	35.0	22.0	1687
16	600	35.0	35.1	28.0	16.9	2260
	150	34.0	34.5	31.5	18.9	1405
	300	34.0	34.6	33.4	19.5	1960
18	600	39.0	39.1	38.4	23.4	2888
	150	38.5	39.0	37.1	22.3	1960
	300	38.5	39.1	37.6	22.5	2530
20	600	43.0	43.1	37.4	22.5	4050
	150	38.5	39.0	37.9	23.0	2110
	300	40.0	40.8	40.7	23.6	3220
24	600	47.0	47.2	45.1	27.4	6120
	150	51.0	51.5	47.3	28.5	3290
	300	53.0	53.9	47.8	28.8	4170
24	600	55.0	55.4	48.5	29.3	7970

## PARTS & MATERIALS



No.	Qty.	Part Name	Material
1	1	Body	ASTM A216 WCC
2	1	Seat	316L SS
3	1	Disc	ASTM A351 CF8M
4	1	Hinge	ASTM A351 CF8M
5	1	Washer	316 SS
6	1	Lock Nut	316 SS
7	1	Pin	316 SS
8	1	Hinge Pin	ASTM A182 F316
9	1	Gasket	316 SS + Graphite
10	1	Bonnet	ASTM A105
11	*	Stud	ASTM A193 B7M
12	*	Nut	ASTM A194 2HM
13	1	Plug	ASTM A105 + Zn
14	1	Name Plate	Stainless Steel
15	2	Rivet	Carbon Steel
16	1	Lifting Bolt	Carbon Steel
17	1	Disc O-Ring	Viton GF
18	1	Plug	ASTM A105
19	1	Plug	ASTM A105
20	1	Seat O-Ring	Viton GF
21	1	Bonnet O-Ring	Viton GF



## OUR CORE VALUES

### No One Gets Hurt

The safety of our employees and customers is our first priority coupled with a healthy respect for the environment.

### Integrity

In everything we do, in every interaction, both internally and externally, we strive to operate with the utmost integrity and mutual respect.

### Customer Focused


Our products enhance our customer's performance and we listen to their needs and work with them to solve their challenges.


### Good Place To Work

We are committed to creating a workplace that fosters innovation, teamwork and pride. Every team member is integral to our success and is treated equally and fairly.

---

### FORUM ENERGY TECHNOLOGIES

 12735 Dairy Ashford Road  
Stafford, TX 77477

 +1 281 637 2000 (General)  
+1 281 637 2097 (Sales)

 [f-e-t.com/valve-solutions](http://f-e-t.com/valve-solutions)

 [ForumVS.Sales@f-e-t.com](mailto:ForumVS.Sales@f-e-t.com)

The information provided in this brochure is intended for informational purposes only. While we strive to maintain accuracy, please know that the content may change without notification. We do not guarantee the information's completeness, timeliness, or reliability. Any reliance on the content is at your discretion, and we assume no responsibility for errors, omissions, or inaccuracies that may occur.

PBV is a registered trademark of Forum US, Inc. Viton is a registered trademark of DuPont Dow Elastomers, LLC.

Copyright © FORUM ENERGY TECHNOLOGIES, INC. All rights reserved. • VS PBV\_SWINGCHECK\_0924